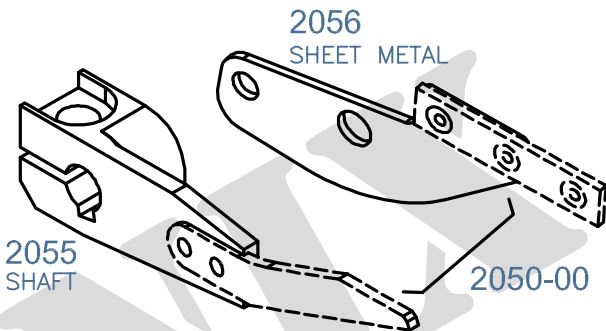
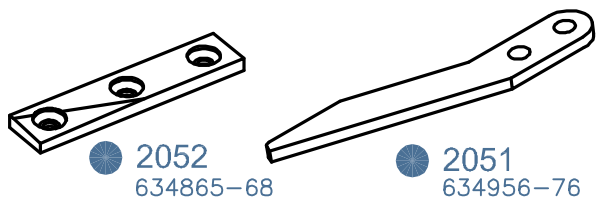
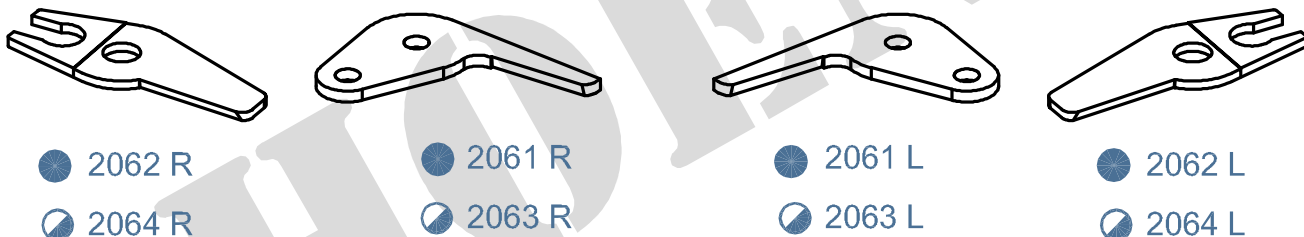


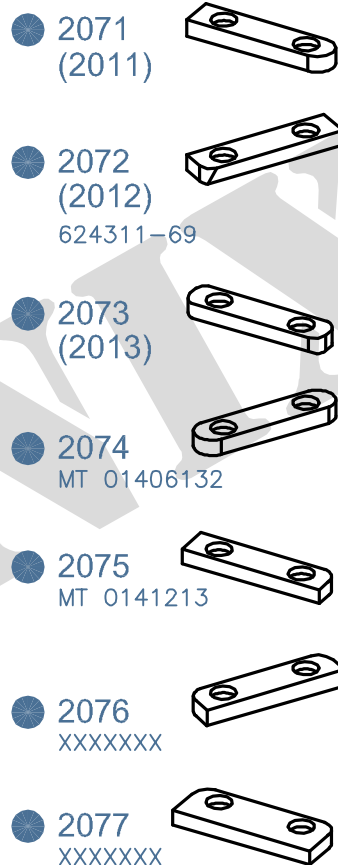
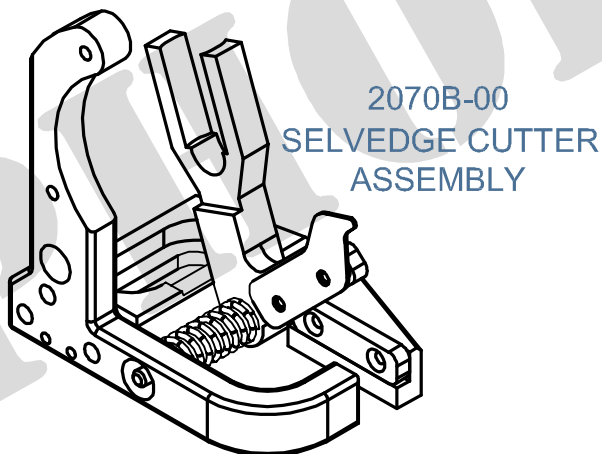
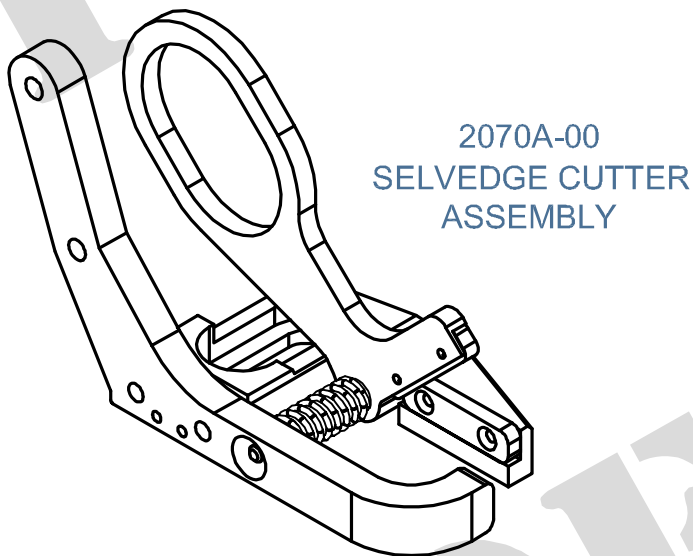
2050 - ZAX (MOTORIZED WEFT)



2060 - ZAX (TUCK IN SELVEDGE)



2070 - ZAX-E, 9100 (CENTER CUTTER)



2070C-00
CENTER CUTTER ASSEMBLY

MATERIAL CODE : ● SOLID CARBIDE , ○ HSS , ◐ BRAZED CARBIDE , ⊙ TIN COATED